

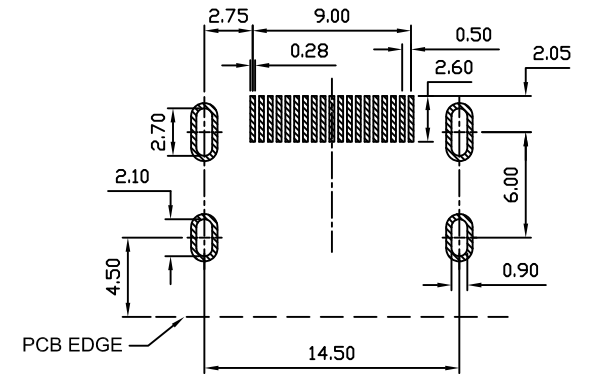
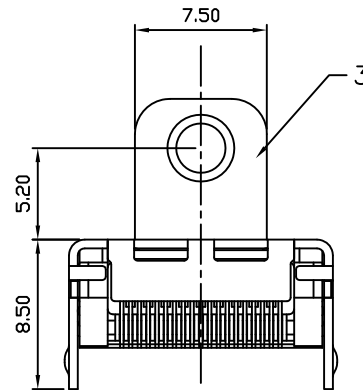
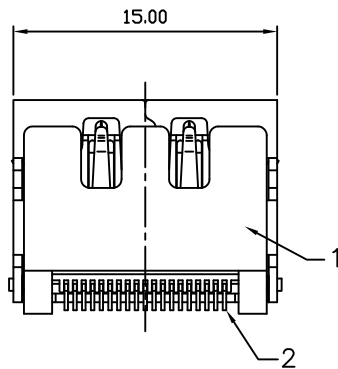
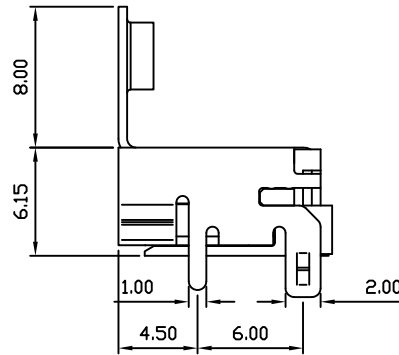
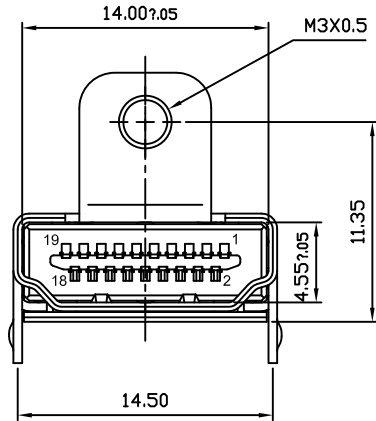
NO.	NAME	MATERIAL	PLATING
1	HOUSING	LCP	
2	PIN TERM.	PHOS. BRONZE	Gold-Plated
3	SHELL	PHOS. BRONZE	Ni-Plated

THA-S10M2T1 *-* * *

Series _____
 Type _____
 Color _____
 B : Black
 W : White
 Material _____
 L : LCP

Shell
 N : Nickel Plated

Version
 0 : 3u"
 1 : 5u"
 2 : 15μ"
 3 : 30μ"



RECOMMENDED PCB LAYOUT
TOP VIEW

SYM	DISCRIPTION	DATE	APPROVED
△			
△			
△			
△			
△			



TACLEX

TACLEX ELECTRONICS CO., LTD.

TOLERANCES UNLESS
OTHERWISE SPECIFIED
LINEAR: ±0.30 ANGULAR: ±3°

SIGNATURES

DATE

TITLE

DRAWN

Andy

2009.05.15

HDMI A TYPE SMT

CHK'D

Alex

2009.05.15

NO.

THA-S10M2T1

REVISIONS

A



SCALE

5/1

APPV'D

Rex

2009.05.15